

# TouchLink Pro

## PRO SERIES TOUCHPANELS



## Powerful and Intuitive Control Interfaces for AV Systems

- ▶ TouchLink® Pro touchpanels in sizes from 3.5" to 17"
- ▶ Transform TouchLink Pro touchpanels into powerful, all-in-one control systems with LinkLicense for TLP Control Processor and the TLCA 1
- ▶ TLI Pro 201 4K TouchLink Interface - Use a third party 4K touchscreen display within your control system
- ▶ GUI Designer Software - Efficiently create TouchLink Pro user interfaces

**Extron**

# TOUCLINK PRO

In many ways, the choice of a control interface dictates a user's overall satisfaction with the AV system. That's why we design our TouchLink® Pro interfaces to exceed expectations for ease-of-use, then place equally-strict goals on features, security, and smooth, worry-free integration. Our TouchLink Pro family works with our control processors and HC 400 Series systems and is designed for use in AV system applications that requires easy, complete, interactive control of a broad range of source devices.

## TouchLink Pro Touchpanels

The series includes full-featured, customizable touchpanels that range in sizes from 3.5" up to 17", available in a variety of mounting options including tabletop, wall mount, and flip-up Cable Cubby enclosures. Several models feature vibrant, capacitive touchscreens with edge-to-edge glass, and multi-source, high-resolution video preview.

## LinkLicense for TLP Control Processor and the TLCA 1

Extron LinkLicense for TLP Control Processor and the TLCA 1 TouchLink Control Port Expansion Adapter are powerful Pro xi Series control options that will transform your wall mount, tabletop, and Cable Cubby TouchLink Pro touchpanels into powerful, all-in-one control systems. They will add flexibility and power to our latest TouchLink Pro touchpanels, including the TLP Pro 525 Series, TLP Pro 725 Series, TLP Pro 1025 Series, and TLP Pro 300M.

## 4K TouchLink Interface – TLI Pro 201

The Extron TLI Pro 201 is a TouchLink® Interface that allows a third-party 4K touchscreen display to be used as a point of control within an Extron control system. This unique interface includes a scaled HDCP 2.3-compliant HDMI input for video preview, supporting resolutions up to 4K/30. The scaled output



supports signal resolutions up to 4K/30 at 4:4:4. The TLI Pro 201 has an embedded universal interactive display driver that supports most touchscreens. It also features the convenience of PoE, which allows it to receive power and communication over a single Ethernet cable.

### GUI Designer Software

Extron GUI Designer is used for the design, creation, and maintenance of Extron TouchLink Pro user interfaces. Begin with ready-to-use design templates and resource kits, or start from scratch and build your own layout using our comprehensive software. The available design elements are fully customizable and matched carefully to popular AV system applications.

### TouchLink Pro Themes

Extron pre-configured design themes to help streamline and accelerate the TouchLink Pro user interface development process. These are ideal for single display rooms, dual display rooms, divisible rooms, multi-image systems, and videoconference suites.

### Extron Control

Extron Control is an easy-to-use AV control system app that gives users complete access to Extron control systems directly from Apple iOS or Android devices. It is available for download from the App Store and Google Play.



# TOUCLINK PRO TOUCHPANELS



Extron TouchLink Pro touchpanels are designed with many enhanced features, including high-performance processors, ample memory, vibrant displays with high resolution Gorilla Glass® touchscreens, and stylish enclosures. They all feature the convenience of PoE - Power over Ethernet, which allows them to receive power and communication over a single Ethernet cable. They are ideal for any environment requiring a stylish touchpanel with a fully-customizable interface.

## Series Common Features

- ▶ Fully customizable touchpanel user interface
- ▶ Works with Extron control processors and HC 400 Series systems
- ▶ Power over Ethernet provides power and communication over a single Ethernet cable
- ▶ Built-in speakers
- ▶ USB 2.0 port
- ▶ Light sensor adjusts screen brightness as the ambient room lighting changes
- ▶ Configurable red and green status lights indicate a room's availability or call status
- ▶ On-screen menus simplify touchpanel setup

## TLP Pro 1725TG

### 17" Tabletop TouchLink Pro Touchpanel

#### Unique Features

- 17" capacitive touchscreen with 1920x1080 resolution and 16 million colors
- Ultra-fast quad-core processor for quick page loads
- Full-motion video preview and monitoring with HDMI and XTP inputs
- Weighted base allows up to 40° of tilt
- PoE++ compatible
- Sits on a tabletop or installs on a VESA mount

Model	Version Description	Part Number
TLP Pro 1725TG	Black - Tabletop & VESA	60-1792-02
TLP Pro 1725TG NC	Black, Tabletop & VESA, No Camera	60-1792-12



## TLP Pro 1725MG

### 17" Wall Mount TouchLink Pro Touchpanel

#### Unique Features

- 17" capacitive touchscreen with 1920x1080 resolution and 16 million colors
- Ultra-fast quad-core processor for quick page loads
- Full-motion video preview and monitoring with HDMI and XTP inputs
- PoE++ compatible
- Mounts on a wall, lectern, or any flat surface

Model	Version Description	Part Number
TLP Pro 1725MG	Black - Wall Mount	60-1791-02
TLP Pro 1725MG NC	Black - Wall Mount, No camera	60-1791-12



## TLP Pro 1525TG

### 15" Tabletop TouchLink Pro Touchpanel

#### Unique Features

- 15" capacitive touchscreen with 1366x768 resolution and 16 million colors
- Ultra-fast quad-core processor for quick page loads
- Full-motion video preview and monitoring with HDMI and XTP inputs
- Weighted base allows up to 40° of tilt
- PoE+ compatible
- Sits on a tabletop or installs on a VESA mount

Model	Version Description	Part Number
TLP Pro 1525TG	Black - Tabletop & VESA	60-1790-02
TLP Pro 1525TG NC	Black - Tabletop & VESA, No Camera	60-1790-12



# TOUCLINK PRO TOUCHPANELS

## TLP Pro 1525MG

### 15" Wall Mount TouchLink Pro Touchpanel

#### Unique Features

- 15" capacitive touchscreen with 1366x768 resolution and 16 million colors
- Ultra-fast quad-core processor for quick page loads
- Full-motion video preview and monitoring with HDMI and XTP inputs
- PoE+ compatible
- Mounts on a wall, lectern, or any flat surface

Model	Version Description	Part Number
TLP Pro 1525MG	Black - Wall Mount	60-1789-02
TLP Pro 1525MG NC	Black - Wall Mount, No Camera	60-1789-12



## TLP Pro 1225TG

### 12" Tabletop TouchLink Pro Touchpanel

#### Unique Features

- 12" capacitive touchscreen with 1280x800 resolution and 16 million colors
- Ultra-fast quad-core processor for quick page loads
- Full-motion video preview and monitoring with HDMI and XTP inputs
- PoE+ compatible
- Motion detector wakes touchpanel
- Sits on a tabletop or installs on a VESA mount

Model	Version Description	Part Number
TLP Pro 1225TG	Black - Tabletop & VESA	60-1788-02
TLP Pro 1225TG NC	Black - Tabletop & VESA, No Camera	60-1788-12



## TLP Pro 1225MG

### 12" Wall Mount TouchLink Pro Touchpanel

#### Unique Features

- 12" capacitive touchscreen with 1280x800 resolution and 16 million colors
- Ultra-fast quad-core processor for quick page loads
- Full-motion video preview and monitoring with HDMI and XTP inputs
- PoE+ compatible
- Mounts on a wall, lectern, or any flat surface

Model	Version Description	Part Number
TLP Pro 1225MG	Black - Wall Mount	60-1787-02
TLP Pro 1225MG NC	Black - Wall Mount, No Camera	60-1787-12





## TLP Pro 1230WTG 12" Ultra-wide Tabletop TouchLink Pro Touchpanel

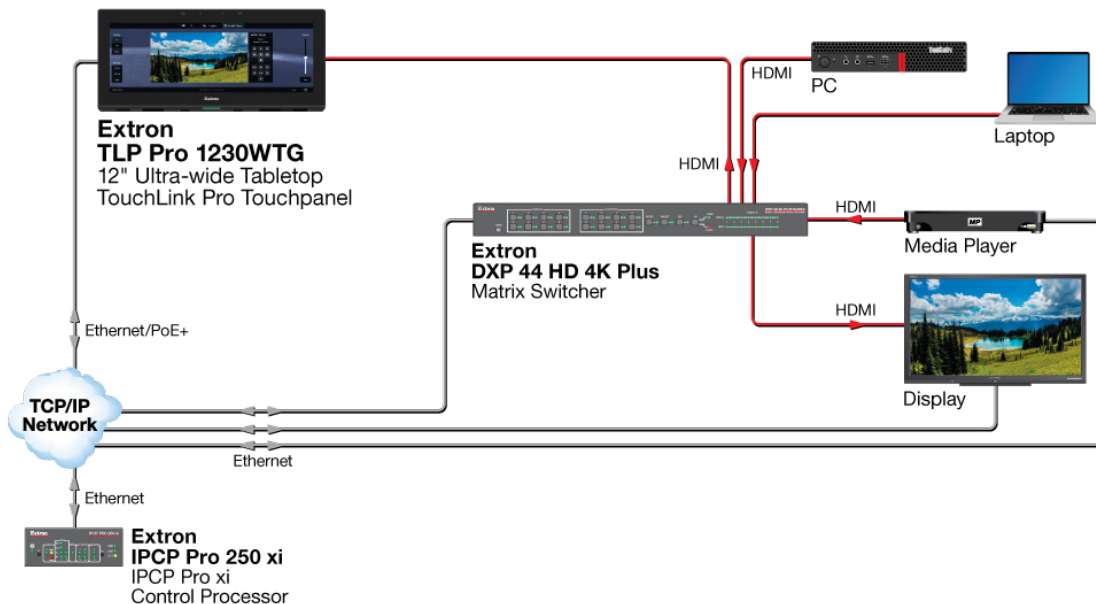
The TLP Pro 1230WTG is an ultra-wide tabletop touchpanel, featuring a vibrant 12" 1920x720 resolution touchscreen. This ultra-wide format enhances the user experience since it allows multiple tasks to be seen and managed at the same time. The TLP Pro 1230WTG provides ample screen space to simultaneously display full AV system controls, video preview, and streaming controls. The TLP Pro 1230WTG features HDMI video preview input that supports high resolution HDCP compliant video from an HDMI source. The sleek, low-profile design minimizes visual obstructions and improves collaboration engagement in a wide variety of applications.

### Unique Features

- 12" ultra-wide capacitive touchscreen with 1920x720 resolution and 24-bit color
- Gorilla Glass® screen is tough, scratch and smudge-resistant
- PoE+ compatible
- Ultra-fast quad-core processor
- Full-motion video preview with a direct HDMI input

Model	Version Description	Part Number
TLP Pro 1230WTG	Black - Tabletop	60-1668-02
TLP Pro 1230WTG	White - Tabletop	60-1668-03

## Application Diagram



# TOUCLINK PRO TOUCHPANELS

## TLP Pro 1025T

### 10" Tabletop TouchLink Pro Touchpanel

#### Unique Features

- 10" capacitive touchscreen with 1280x800 resolution and 24-bit color depth
- Gorilla Glass® screen is tough, scratch and smudge-resistant
- Motion detector wakes touchpanel
- Configurable red and green status lights indicate a room's availability or call status



Model	Version Description	Part Number
TLP Pro 1025T	Black - Tabletop	60-1565-02
TLP Pro 1025T	White - Tabletop	60-1565-03
TLP Pro 1025T NC	Black - Tabletop, No Camera	60-1565-12
TLP Pro 1025T NC	White - Tabletop, No Camera	60-1565-13

## TLP Pro 1025M

### 10" Wall Mount TouchLink Pro Touchpanel

#### Unique Features

- 10" capacitive touchscreen with 1280x800 resolution and 24-bit color depth
- Gorilla Glass® screen is tough, scratch and smudge-resistant
- Digital input allows for a connection with a variety of devices, such as sensors and switches
- Motion detector wakes touchpanel
- Configurable red and green status lights indicate a room's availability or call status
- Can be mounted in a two-gang junction box, or on a wall, lectern, or any flat surface, including glass



Model	Version Description	Part Number
TLP Pro 1025M	Black - Wall Mount	60-1566-02
TLP Pro 1025M	White - Wall Mount	60-1566-03
TLP Pro 1025M NC	Black - Wall Mount, No Camera	60-1566-12
TLP Pro 1025M NC	White - Wall Mount, No Camera	60-1566-13

## TLP Pro 725T

### 7" Tabletop TouchLink Pro Touchpanel

#### Unique Features

- 7" capacitive touchscreen with 1024x600 resolution and 24-bit color depth
- Gorilla Glass® screen is tough, scratch and smudge-resistant
- Configurable red and green status lights indicate a room's availability or call status
- Motion detector wakes touchpanel



Model	Version Description	Part Number
TLP Pro 725T	Black - Tabletop	60-1562-02
TLP Pro 725T	White - Tabletop	60-1562-03
TLP Pro 725T NC	Black - Tabletop, No Camera	60-1562-12
TLP Pro 725T NC	White - Tabletop, No Camera	60-1562-13



## TLP Pro 725M

### 7" Wall Mount TouchLink Pro Touchpanel

#### Unique Features

- 7" capacitive touchscreen with 1024x600 resolution and 24-bit color depth
- Gorilla Glass® screen is tough, scratch and smudge-resistant
- Digital input allows for a connection with a variety of devices, such as sensors and switches
- Motion detector wakes touchpanel
- Configurable red and green status lights indicate a room's availability or call status
- Can be mounted in a two-gang junction box, or on a wall, lectern, or any flat surface, including glass



Model	Version Description	Part Number
TLP Pro 725M	Black - Wall Mount	60-1563-02
TLP Pro 725M	White - Wall Mount	60-1563-03
TLP Pro 725M NC	Black - Wall Mount, No Camera	60-1563-12
TLP Pro 725M NC	White - Wall Mount, No Camera	60-1563-13

## TLP Pro 725C

### 7" Cable Cubby TouchLink Pro Touchpanel

#### Unique Features

- 7" capacitive flip-up touchscreen with 1024x600 resolution and 24-bit color depth
- Gorilla Glass® screen is tough, scratch and smudge-resistant
- Cable Access Enclosure design offers easy access to AV, data, and power connections
- Integrated lid switch automatically wakes the touchpanel when opened and can trigger any other system function



Model	Version Description	Part Number
TLP Pro 725C	Black - w/o AC Module	60-1564-02
TLP Pro 725C NC	Black - w/o AC Module, No Camera	60-1564-12

## TLP Pro 525T

### 5" Tabletop TouchLink Pro Touchpanel

#### Unique Features

- 5" capacitive touchscreen with 800x480 resolution and 24-bit color depth
- Gorilla Glass® screen is tough, scratch and smudge-resistant
- Kensington lock support
- Motion detector wakes touchpanel
- Configurable red and green status lights indicate a room's availability or call status



Model	Version Description	Part Number
TLP Pro 525T	Black - Tabletop	60-1559-02
TLP Pro 525T	White - Tabletop	60-1559-03
TLP Pro 525T NC	Black - Tabletop, No Camera	60-1559-12
TLP Pro 525T NC	White - Tabletop, No Camera	60-1559-13

# TOUCLINK PRO TOUCHPANELS

## TLP Pro 525M

### 5" Wall Mount TouchLink Pro Touchpanel

#### Unique Features

- 5" capacitive touchscreen with 800x480 resolution and 24-bit color depth
- Gorilla Glass® screen is tough, scratch and smudge-resistant
- Digital input allows for a connection with a variety of devices, such as sensors and switches
- Motion detector wakes touchpanel
- Configurable red and green status lights indicate a room's availability or call status
- Can be mounted in a one-gang junction box, or on a wall, lectern, or any flat surface, including glass



Model	Version Description	Part Number
TLP Pro 525M	Black - Wall Mount	60-1561-02
TLP Pro 525M	White - Wall Mount	60-1561-03
TLP Pro 525M NC	Black - Wall Mount, No Camera	60-1561-12
TLP Pro 525M NC	White - Wall Mount, No Camera	60-1561-13

## TLP Pro 525C

### 5" Cable Cubby TouchLink Pro Touchpanel

#### Unique Features

- 5" capacitive flip-up touchscreen with 800x480 resolution and 24-bit color depth
- Gorilla Glass® screen is tough, scratch and smudge-resistant
- Cable Access Enclosure design offers easy access to AV, data, and power connections
- Integrated lid switch automatically wakes the touchpanel when opened and can trigger any other system function

Model	Version Description	Part Number
TLP Pro 525C	Black - w/o AC Module	60-1560-02
TLP Pro 525C NC	Black - w/o AC Module, No Camera	60-1560-12



## TLP Pro 300M

### 3.5" Portrait Wall Mount TouchLink Pro Touchpanel

#### Unique Features

- 3.5" capacitive touchpanel with a 320x480 resolution touchscreen
- Contemporary portrait design that complements the aesthetics of any environment
- Gorilla Glass® screen is tough, scratch, and smudge-resistant
- Motion detector wakes touchpanel
- Configurable red and green status light

Model	Version Description	Part Number
TLP Pro 300M	Black - Wall Mount, Portrait	60-1667-02
TLP Pro 300M	White - Wall Mount, Portrait	60-1667-03



# 4K TOUCHLINK INTERFACE

## TLI Pro 201

### 4K TouchLink Interface

The Extron TLI Pro 201 is a TouchLink® Interface that allows a third-party 4K touchscreen display to be used as a point of control within an Extron control system. This unique interface includes a scaled HDCP 2.2-compliant HDMI input for video preview, supporting resolutions up to 4K/30. The scaled output supports signal resolutions up to 4K/30 at 4:4:4.

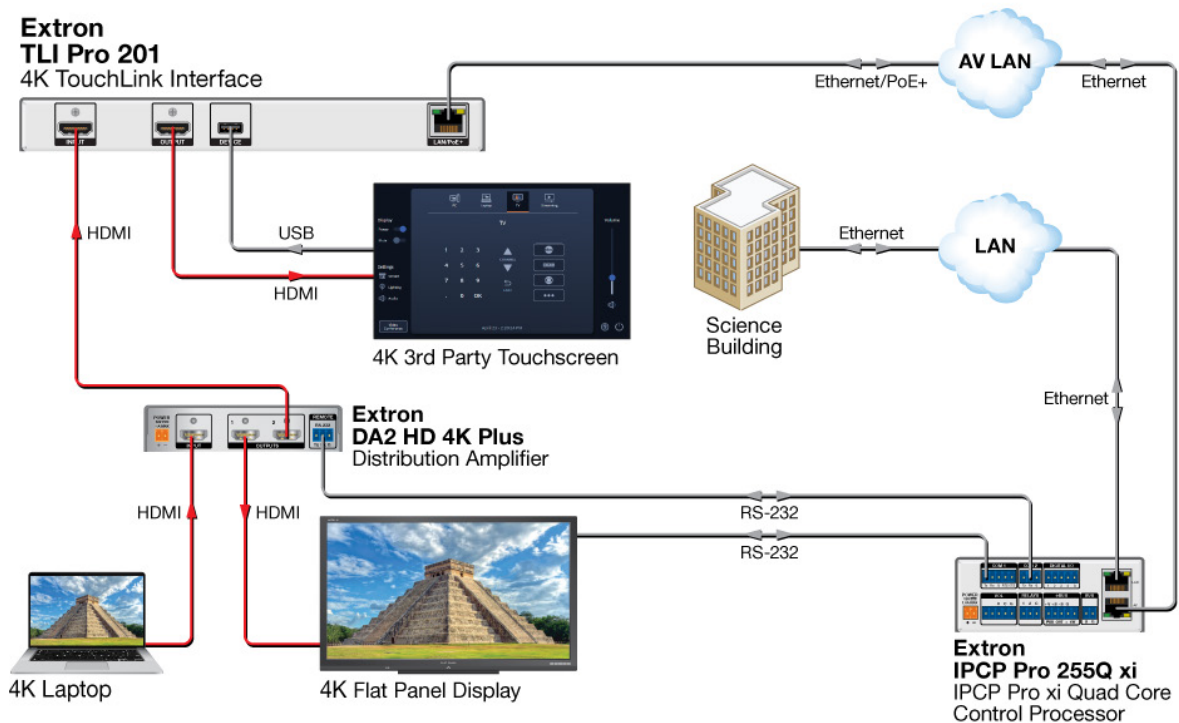
### Features

- Utilize a third-party 4K touchscreen display as a point of control within an Extron Pro Series control system
- Compatible with third-party touchscreen displays up to 4K/30 at 4:4:4
- Compatible Extron control processors and HC 400 Series Meeting Space Collaboration Systems
- HDCP 2.2-compliant HDMI Input for full-motion video preview and monitoring
- One high speed USB 2.0 port for third-party touchscreens or HID support
- PoE+ compatible
- Universal interactive display driver supports most interactive displays right out of the box.



Model	Version Description	Part Number
TLI Pro 201	4K TouchLink Interface	60-1669-01

## Application Diagram





## Transform your TouchLink Pro Touchpanel into a Powerful All-in-One Control System

Extron LinkLicense for TLP Control Processor and the TLCA 1 TouchLink Control Port Expansion Adapter are two powerful Pro xi Series control options that will transform your wall mount, tabletop, and Cable Cubby TouchLink Pro touchpanels into powerful, all-in-one control systems. These innovative tools add flexibility and power to our latest TouchLink Pro touchpanels, including the TLP Pro 525 Series, TLP Pro 725 Series, TLP Pro 1025 Series and TLP Pro 300M.

Integrated touchpanel control systems provide many advantages including simpler system designs and streamlined system deployment. In addition, when you introduce a touchpanel control system into a room where an Extron touchpanel and a control processor already exists, you will be able to remove the control processor from the system and use it elsewhere.

### LinkLicense for TLP Control Processor

Extron LinkLicense for TLP Control Processor is a powerful, easy way to turn your TouchLink Pro touchpanel into a full-featured, standalone control system. With this LinkLicense, you can control your AV devices via Ethernet directly from the Ethernet port on the touchpanel. And, by adding the optional TLCA 1 TouchLink Control Port Expansion Adapter, you can control a broad range of system devices directly from the touchpanel using the variety of ports on the control adapter.



### TLCA 1

The Extron TLCA 1 is a TouchLink Control Port Expansion Adapter designed to add traditional control ports to your touchpanel installed with LinkLicense for TLP Control Processor. It features two bidirectional serial ports, one digital input, one IR port, and two relays for control of sources, directly at the touchpanel.



To learn more, visit [extron.com/tlca](http://extron.com/tlca)

## User Interface Design Software for TouchLink® Pro

Extron GUI Designer is a software application used to design, create, and maintain Extron TouchLink® Pro user interfaces. Begin with ready-to-use design templates and resource kits, or start from scratch and build your own layout using our comprehensive software. The available design elements are fully customizable and matched carefully to popular AV system applications. In many cases, all the input sources, display control, and environmental settings are already in place. These resources are fully developed and include complete, detailed documentation.

### Ready-to-use Templates and Resource Kits

GUI Designer includes ready-to-use templates for single display rooms, dual display rooms, divisible rooms, multi-image systems, and videoconference suites that can be used for TouchLink Pro products. Since system designs vary, our templates can be customized to suit the specific needs of any application. The GUI Designer design environment enables a wide variety of design choices for buttons, colors, logos, font styles, and more.

### Start From Scratch and Design Your Own Layout

A wide array of design options enables users to develop their own touchscreen layouts to meet almost any system requirement. The GUI Designer resource library of shapes, graphics, and fonts provide a wide variety of choices for design of pages and pop ups to provide transport controls, multi-state buttons, 3D effects, video windows, dynamic text, and more. In addition, users can import their own images and font files into GUI Designer and use the resource management tool to provide further customization capabilities. The Designer Window displays the layout design in progress, so the changes can be seen while the customization occurs.

**Object Layering Indicator**  
Notifies the user that there is at least one object that is being covered by another

**Dynamic Scaling**  
Allows easy conversion of GUI designs between different size touchpanels

**Share and Transfer Projects**  
Easily share and transfer projects while preserving all project resources

**Intuitive Drag-and-Drop Interface**  
Familiar, easy-to-use menus and toolbars

**Workspace Window**  
Quick point-and-click access to multiple projects and individual project pages

**Controls Window**  
For adding basic buttons, level indicators, date/time displays, video windows, and more

**Resource Library**  
Buttons, borders, 3D effects, shapes, graphics, fonts, and more

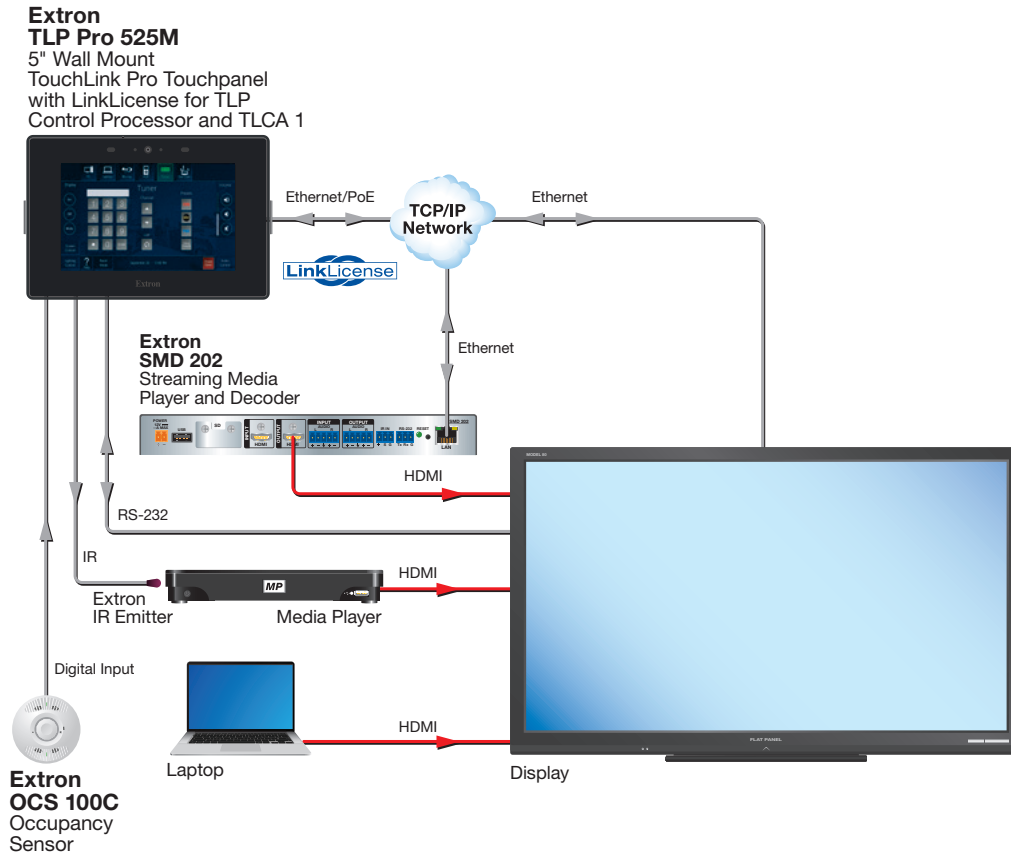
**Properties Window**  
Provides quick view and edit of object properties

**Designer Window**  
Displays layout of main page and popup pages

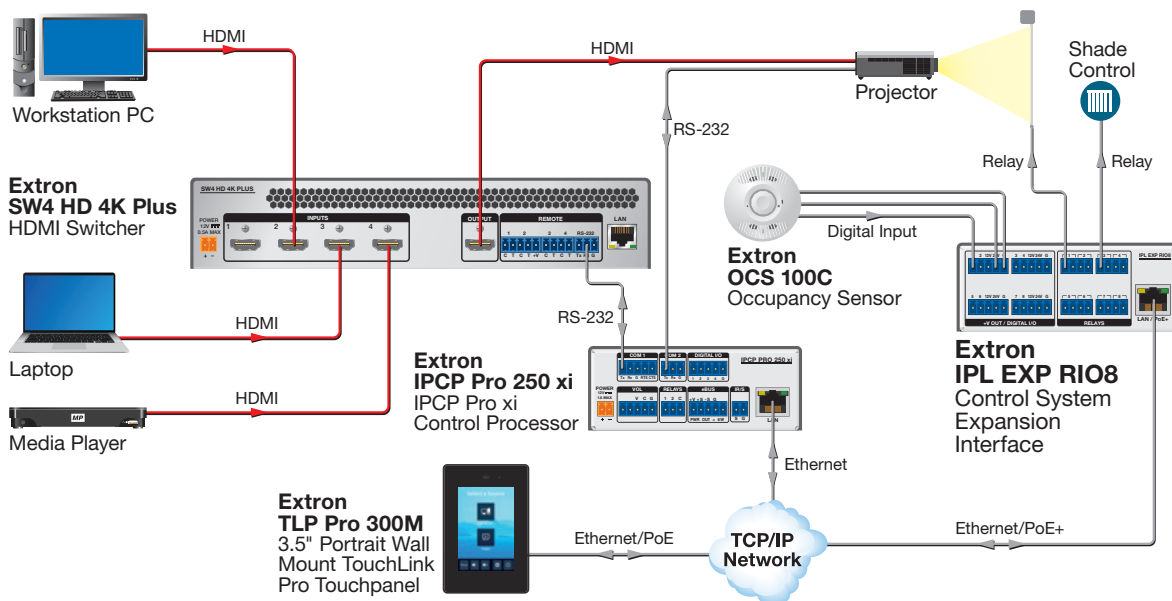
**Control States Window**  
Easily modify and customize the visual states of a button

# APPLICATION DIAGRAMS

## TLP Pro 525M with LinkLicense for TLP Control Processor and TLCA 1



## TLP Pro 300M with an IPCP Pro 250 xi and IPL EXP RIO8 in a classroom







## Extron Control Systems Certification Programs Establish Your Knowledge of Extron Control Systems

Extron offers three control systems certification programs designed to prepare individuals to successfully deploy and maintain customized AV control systems built around our Pro Series control systems.



### Extron Control Specialist - ECS

Extend Your Ability to Customize and Manage Extron Pro Series Systems

#### Course Content

ECS is a two-day course that consists of the following general categories:

- Learn Global Configurator Plus, and use its powerful capabilities to configure and manage Extron Pro Series control systems
- Control system design concepts
- Configure a wide range of room control functions using Global Configurator Plus
- Create custom control interfaces using GUI Designer software, plus GUI design best practices
- Validate Pro Series control systems in multiple AV environments using acquired knowledge of installation, configuration, and commissioning principles



### Extron Control Professional - ECP

Unleash the Power of Global Configurator Professional for Advanced Extron Pro Series Control Systems

#### Course Content

ECP is a three-day course that consists of:

- Learn Global Configurator Professional software and the advanced features used in complex system designs
- Sophisticated control system design concepts and advanced configuration techniques
- Create custom control interfaces using GUI Designer software, plus GUI design best practices
- Validate complex Pro Series control systems in multiple AV environments using acquired knowledge of installation, configuration, and commissioning principles



### Extron Authorized Programmer - EAP

Learn Global Scripter and ControlScript to Design Powerful, Programmable Control Systems

#### Course Content

EAP is a four-day course that consists of:

- Use Global Scripter software and ControlScript, the Extron Python library for AV professionals, to program Extron Pro Series Control Systems
- Apply best practices and troubleshooting techniques to ensure optimum system performance
- Utilize methodologies for implementing and developing reusable modules for control system programs

[LEARN MORE](#)

To find out more about the Extron Control Systems Certification programs, contact your Extron S3 Customer Support Representative.

#### WORLDWIDE SALES OFFICES

Anaheim • Raleigh • Silicon Valley • Dallas • New York • Washington, DC • Toronto • Mexico City  
Paris • London • Frankfurt • Stockholm • Amersfoort • Moscow • Dubai • Tel Aviv • Sydney • Melbourne  
Bangalore • Mumbai • New Delhi • Singapore • Seoul • Shanghai • Beijing • Hong Kong • Tokyo

[www.extron.com](http://www.extron.com)